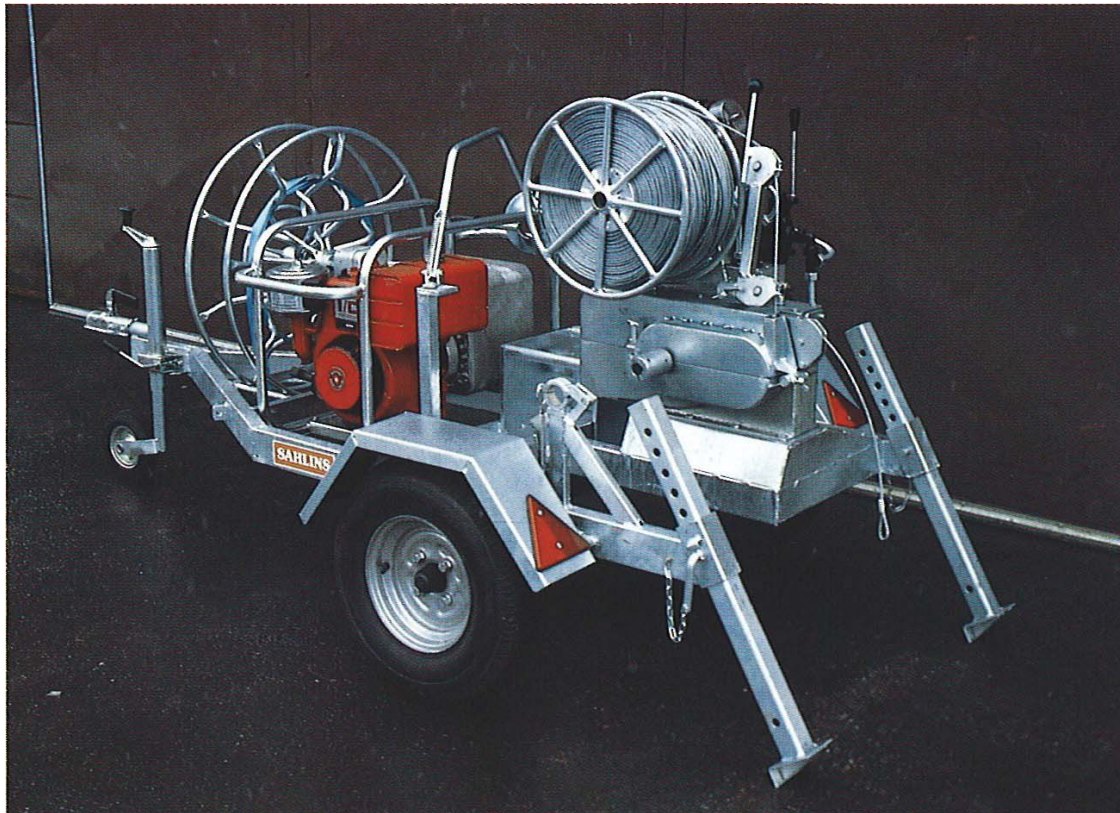


210

Multi-Purpose Winch

Illustrated Parts List



Clydesdale Ltd.

Instal House, 3 Sunbeam Road,
Woburn Road Ind. Est., Kempston,
Bedfordshire MK42 7BZ
United Kingdom

Tel: +44 (01234) 855855
Fax: +44 (01234) 855800
E-mail: sales@clydesdale.ltd.uk
www.clydesdale.ltd.uk
DP 210 CB 10/01/06 Rev2

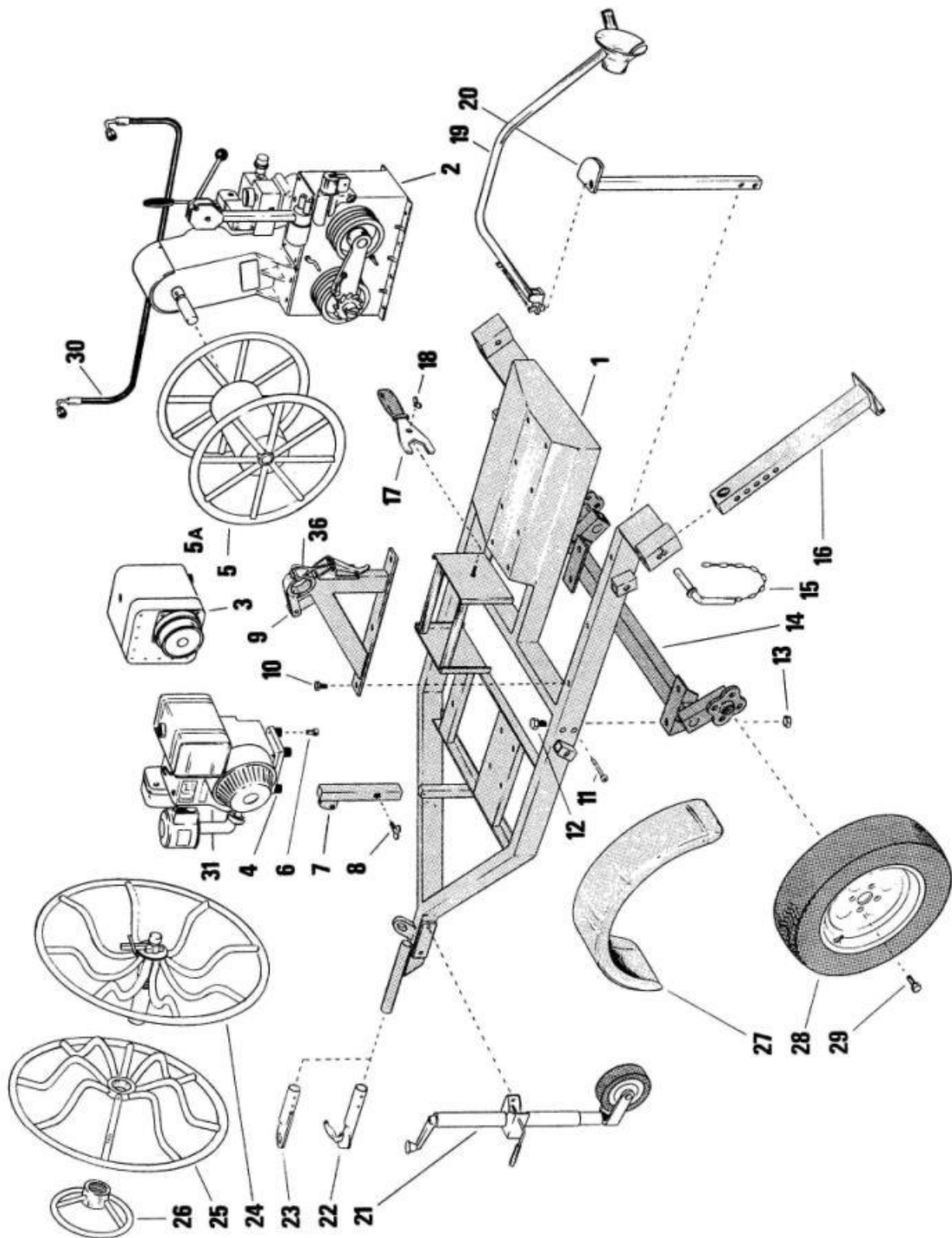


Table for page 10

Ref.No	Art.No	Part Name	Qty.	
			Overh. winch	Undgr. winsh
1	2100-5007	Frame	1	1
2	See page 12	Winch unit with 6 mm wheels	-	1
2A	See page 12	Winch unit with 10 mm wheels	1	-
3	See page 15	Hydraulic tank	1	1
4	9503-001	Chusioner R39 M8	4	4
5	3060-0021	Drum, ø 530	1	-
5A	3060-0010	Drum, ø 395	-	1
6	9361-08012	Screw M8x12	4	4
7	2100-0050	Drum stand	1	1
8	9401-08016	Wing screw	1	1
9	2100-0200	Support bearing	1	1
10	9361-08020	Screw M8x20	3	3
11	9371-08080	Screw M8x80	2	2
12	9361-12040	Screw M12x40	4	4
13	9422-12	Lock nut M12	4	4
14	9580-002	Wheel shaft	1	1
15	2100-5009	Pin	2	2
16	2100-5010	Support leg	2	2
17	3060-0080	Friction clutch spanner	1	1
18	9425-10	Wing nut M10	1	1
19	2100-5041	Line spreader	1	1
20	2100-5040	Line spreader attachment	1	1
21	9583-001	Jockey wheel unit	1	1
22	9582-007	Ball head	1	1
23	2100-0030	Pulling eye	1	1
24	See 33	Split drum part, shaft-side	1	1
25	See 33	Split drum part, wheel-side	1	1
26	See 33	Split drum wheel	1	1
27	2100-5012	Mud guard	2	2
28	9581-007	Wheel	2	2
29	9589-006	Wheel screw	8	8
30	9631-314101	Hydraulic tube L = 1410	2	2
31	9631-314301	Hydraulic tube L = 1430	1	1
32	9601-0801	Engine B&S 8 Hp	1	1
33	2040-0010	Split Drum	1	1
34	9583-002	Clamping sleeve	1	1
35	9583-003	Jockey wheel	1	1
36	9656-006	Clasp Bolt	1	1

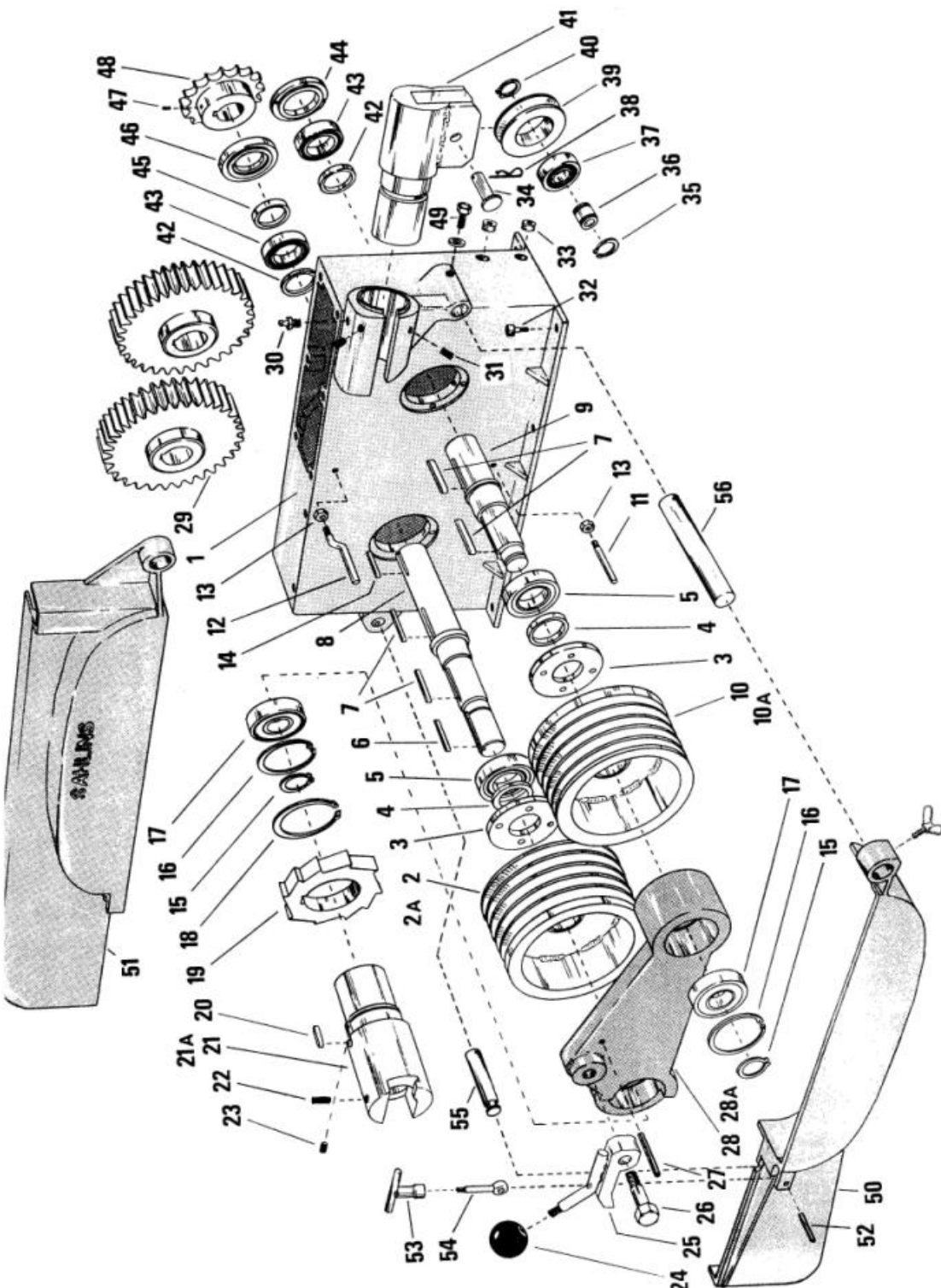


Table for page 12

Ref.No	Part.No	Part Name	Qty.	
			Overh. winch	Undgr. winch
1	3060-5001	Winch housing	1	1
2	3062-5001	Bull wheel	1	-
2A	3060-5002	Bull wheel	-	1
3	3060-5004	Bearing lid	2	2
4	9462-30477	Sealing ring 30-47-7	2	2
5	9201-6006-0	Ball bearing 6006	2	2
6	9322-0840	Flat key type T 8-7-40	1	1
7	9321-0840	Flat key type R 8-7-40	4	4
8	3060-5005	Bull shaft	1	1
9	3060-5006	Bull shaft	1	1
10	3062-5002	Bull wheel	1	-
10A	3060-5003	Bull wheel	-	1
11	3062-5003	Cable pin, lower	1	-
12	3062-5004	Cable pin, upper	1	-
13	9424-12	Nut M12	2	-
14	9321-0830	Flat key type R 8-7-30	1	1
15	9302-025	Lock ring SgA 25	2	2
16	9301-047	Lock ring SgH 47	2	2
17	9201-6005-2	Ball bearing 6005 2RS	2	2
18	9302-050	Lock ring SgA 50	1	-
19	3062-5005	Catch wheel	1	-
20	9322-1416	Flat key type T 14-9-16	1	-
21	3062-5006	Shaft coupling type C	1	-
21A	3062-5007	Shaft coupling type B	1	-
22	9389-001	Thrust screw M12	1	-
23	9374-08006	Grub screw M8-6	1	-
24	9511-2508	Knob M8-25	1	-
25	3062-5008	Chatch hook	1	-
26	3062-5009	Screw M12-37 spec.	1	-
27	9344-04036	Roll pin FRP4-36	1	-
28	3062-5010	Shaft spacer	1	-
28A	3060-5007	Shaft spacer	-	1
29	3062-5011	Gear wheel	2	2
30	9551-06	Grease nipple M6	1	1
31	9373-06016	Stop screw M6-16	2	2
32	9361-08040	Screw M8-40	8	8
33	9621-VSTIR1/4" ED	Oil tap 1/4"	2	2
34	3060-5008	Nose wheel shaft	1	1
35	9302-020	Lock ring SgA 20	1	1
36	3060-5009	Space casing	1	1
37	9201-6004-2	Ball bearing 6004 2RS	1	1

Note item 1-37 incl. in part no. 2103-3010

Table for page 12

Ref.No	Part.No	Part Name	Qty.	
			Overh. winch	Undgr. winch
38	9342-040	Locking pin 4 mm	1	1
39	3060-5010	Guide roller	1	1
40	9302-020	Lock ring SgA 20	1	1
41	3060-5011	Nose wheel casing	1	1
42	3060-5012	Space casing	2	2
43	9201-6006-0	Ball bearing 6006	2	2
44	3060-5013	Cover	2	2
45	9462-30477	Seal ring 30-47-7	1	1
46	3060-5004	Bearing cover	1	1
47	9374-08010	Stop screw M8-10	1	1
48	3060-5014	Chain wheel	1	1
49	9361-06020	Screw M6-20	-	2
50	3060-5015	Cover, lower	-	1
51	3060-5016	Cover, upper	-	1
52	9344-08040	Roll pin FRP 8-40	-	1
53	9802-1360	Lock nut	-	1
54	9403-10050	Screw LS10-50	-	1
55	3060-5017	Shaft	-	1
56	3060-5018	Shaft	-	1
57	9401-08016	Wing screw M8-16	-	1

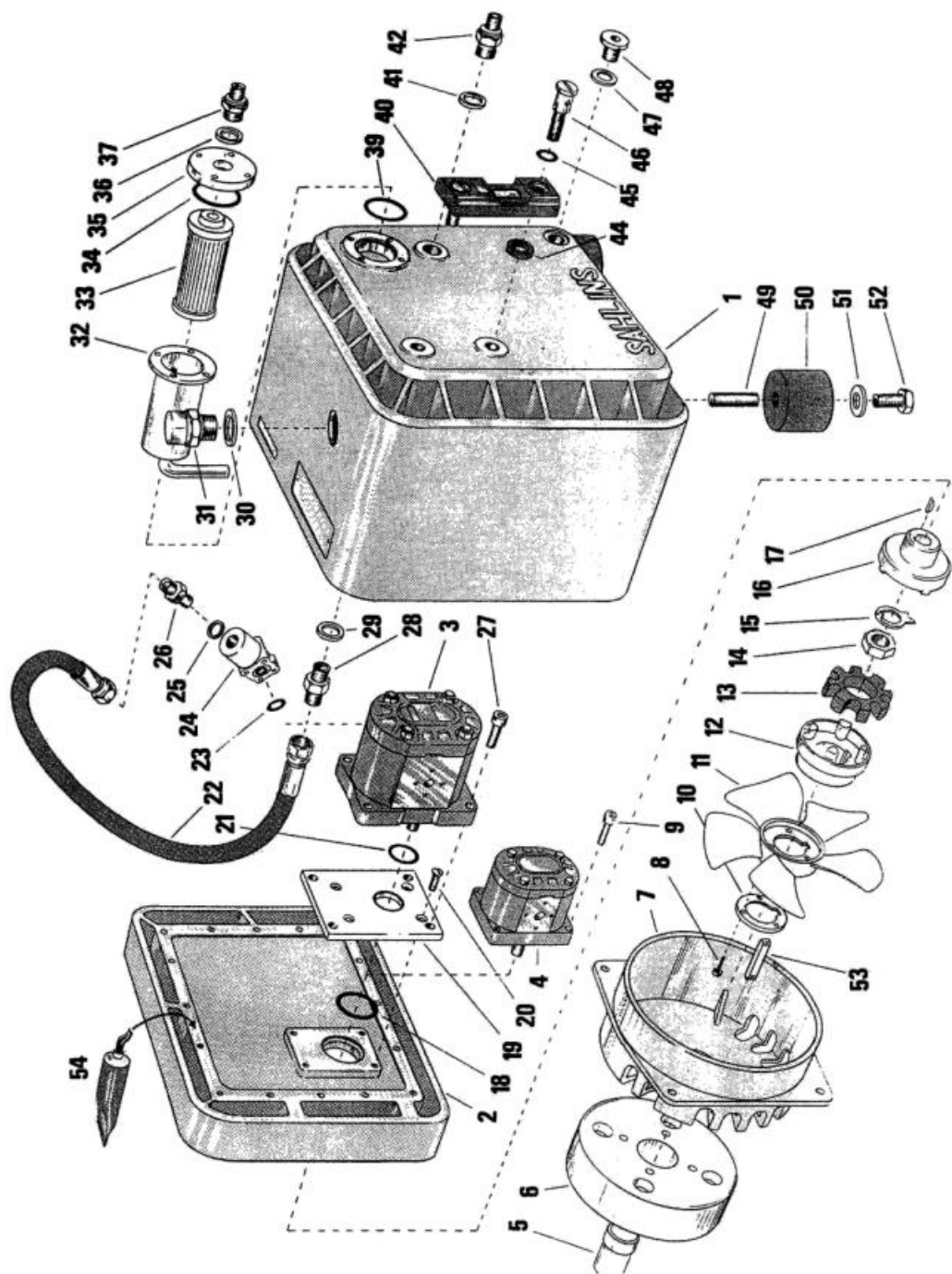


Table for page 15

Ref.No	Art.No	Part Name	Qty.	
			Overh. winch	Undgr. winch
1	1010-5001	Tank body	1	1
2	1010-5002	Cover body	1	1
3	9642-00501	Hydraulic pump CPL4,8D Gr2	1	1
4	-	Hydraulic pump	-	-
5	1012-5001	Shaft spacer - engine	1	1
6	1012-5002	Intermediate spacer - engine	1	1
7	1010-5003	Distance piece	1	1
8	9381-04016	Retaining screw MCS 4-16	3	3
9	-	Screw	-	-
10	1012-5003	Washer	1	1
11	1012-5004	Fan 6,625-5/25 CCW	1	1
12	1012-5005	Drive coupling ND10 - engine side	1	1
13	9610-010-04	Rubber spider	1	1
14	SES	Nut M12-1,5	1	1
15	SES	Lock washer	1	1
16	9610-010-02	Drive coupling ND 10 - pump side	1	1
17	9323-003	Woodruf key 3,15-6,5-16	1	1
18	9461-44624	O-ring 44,6-2,4	1	1
19	1012-5006	Intermediate spacer - pump	1	1
20	9372-06020	Screw F6S M6-20	4	4
21	9461-36020	O-ring 36-2	1	1
22	9631-305001	Hydraulic tube	1	1
23	SES	O-ring OR121	1	1
24	9649-004	Connection flange R38/30-Q	1	1
25	9633-GBR3/8	Washer GB-R3/8	1	1
26	9632-R83566	Adapter R835-6-6	1	1
27	9371-08030	Hexagon socket cap screw MC6S M8-30	4	4
28	9632-R83566	Adapter R835-6-6	1	1
29	9633-GBR3/8	Washer GB-R3/8	1	1
30	9633-GBR3/8	Washer GB-R3/8	1	1
31	9674-001	Plug MTSF 3/8	1	1
32	1010-5013	Hydraulic filter hood	1	1
33	9671-001	Filter cartridge 0060 R010P	1	1
34	9461-57624	O-ring 57,6-2,4	1	1
35	1010-5011	Filter cover	1	1
36	9633-GBR3/8	Washer GB-R3/8	1	1
37	9632-R83566	Adapter R835-6-6	1	1
38				
39	9461-57624	O-ring 57,6-2,4	1	1
40	9673-001	Level glass (incl 44,45,46)	1	1
41	9633-GBR3/8	Washer GB-R3/8	1	1

Table for page 15

Ref.No	Art.No	Part Name	Qty.	
			Overh. winch	Undgr. winch
42	9632-R83566	Adapter R835-6-6	1	1
44	SES	Sealing ring (se 40)	2	2
45	SES	O-ring (se 40)	2	2
46	SES	Screw (se 40)	2	2
47	9633-GBR3/8	Washer GB-R3/8	1	1
48	9621-USTIR3/8	ED Oil tap DIN 908 3/8	1	1
49	9373-08025	Stud screw M8-25	2	2
50	9503-001	Rubber suspension 26002 R39M8	2	2
51	9444-082	Spring washer FBB 8,2	2	2
52	9361-08030	Screw M6S M8-30	2	2
53	9329-006	Key 1/4"-20	1	1
54		Silicone sealing		

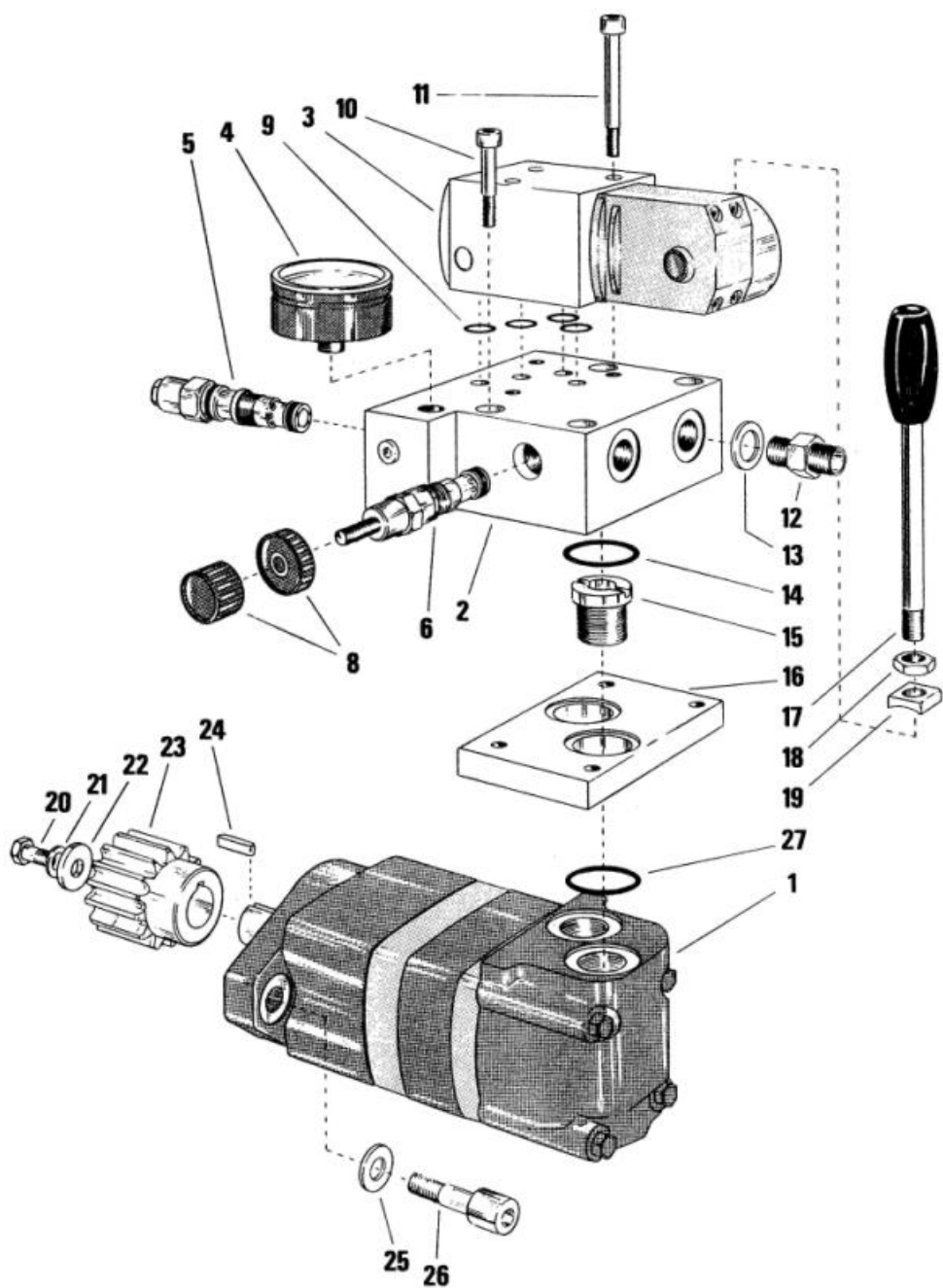


Table for page 18

Ref.No	Art.No	Part Name	Qty.	
			Overh. wnch	Undgr. winch
1	9641-15901	Hydraulic motor 2000-159-2-1"	1	1
2	2100-5017	Valve block	1	1
3	9661-002	Direction valve	1	1
4	2100-5004	Manometer	1	1
5	9663-033	Counter balance valve	1	1
6	9663-020	Relief valves	1	1
8	9663-001	Knob "Control Kit"	1	1
9	9461-12025	O-ring 12-2,5	4	4
10	9371-08055	Hexagon socket cap screw M8-55	4	4
11	9371-08085	Hexagon socket cap screw M8-85	3	3
12	9632-R83566	Adapter R835-6-6	2	2
13	9633-GBR3/8	Washer GB-R3/8	2	2
14	9461-2664262	O-ring 26,64-2,62	2	2
15	9629-BSCHR1/2	Hole screw BSCH R1/2"	2	2
16	3200-5023	Connection plate	1	1
17	9661-002-01	Control arm (incl 18,19)	1	1
18	SES	Nut (see 17)	1	1
19	SES	Washer (see 17)	1	1
20	9369-003	Screw M8-20	1	1
21	9444-065	Spring washer 8,2	1	1
22	9445-084	Washer 8,4/30-1,5	1	1
23	3062-5017	Gear wheel	1	1
24	9323-004	Woodruf key 25,4x6,35-6,38	1	1
25	9444-122	Spring washer 12,2	2	2
26	9371-12035	Screw M12-35	2	2
27	9469-001	Sealing	2	2

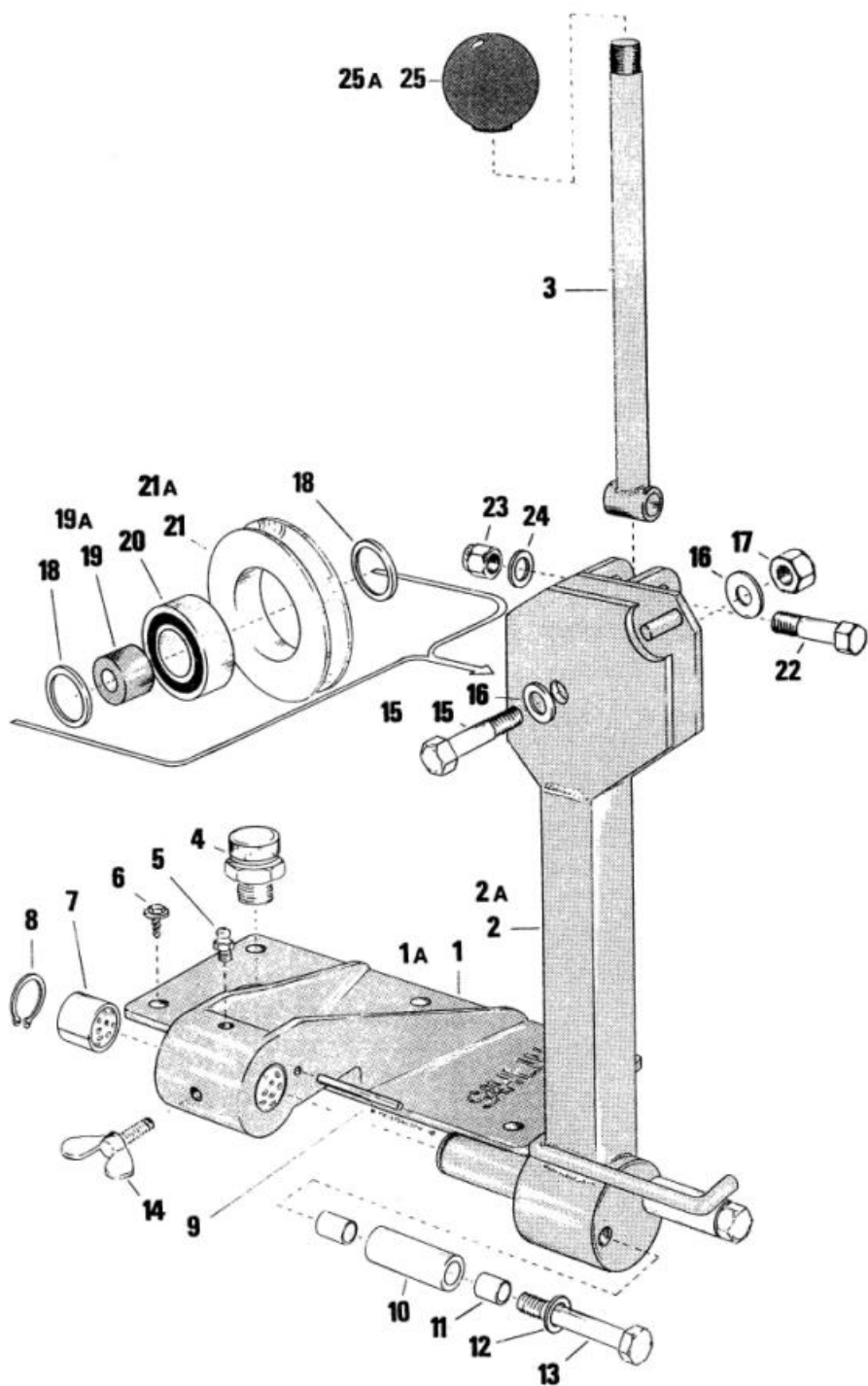


Table for page 20

Ref.No	Art.No	Part Name	Qtyl.	
			Overh. Winch	Undgr. Winch
1	3062-5012	Cover - Line spreader attachment	1	-
1A	3060-5019	Cover - Line spreader attachment	-	1
2*	3062-5013	Line spreader	1	-
2A*	3060-5020	Line spreader	-	1
3*	3062-5014	Control arm	1	-
4	9674-001	Plug MTSF 3/8	1	1
5	9551-06	Grease nipple M6	1	1
6	9391-06020	Screw M6SF-TT-6-20	6	6
7	9254-2020	Slide bearing PDE 20/23-20	2	2
8	9302-020	Lock ring SgA20	1	1
9	9349-001	Grooved pin RPA 5-50	1	1
10*	3060-5021	Roller	2	2
11*	9254-0810	Slide bearing PDE8/10-10	4	4
12*	9441-084	Washer 8,4-17-1,6	2	2
13*	9361-08065	Screw M8-65	2	2
14	9401-08016	Wing screw M8-16	1	1
15	9361-08035	Screw M8-35	-	1
15A	9361-08040	Screw M8-40	1	-
16*	9441-084	Washer 8,4-16-1,5	2	2
17*	9422-08	Lock nut M8	1	1
18*	9449-013	Spacer ring PS20-28-1,0	2	2
19*	3062-5015	Spacer	1	-
19A*	3060-5022	Spacer	-	1
20*	9201-6004-2	Ball bearing 6004-2RS	1	1
21*	3060-5010	Guide roller	1	-
21A*	3060-5023	Guide roller	-	1
22*	9361-08040	Screw M8-40	1	-
23*	9422-08	Lock nut M8	1	-
24*	9441-084	Washer 8,4-17-1,6	1	-
25*	9511-4012	Knob 40-M12	1	-
25A*	9511-3010	Knob 30-M10	-	1

* Included in part no. 9803 0010

* Included in part no. 3062 3001

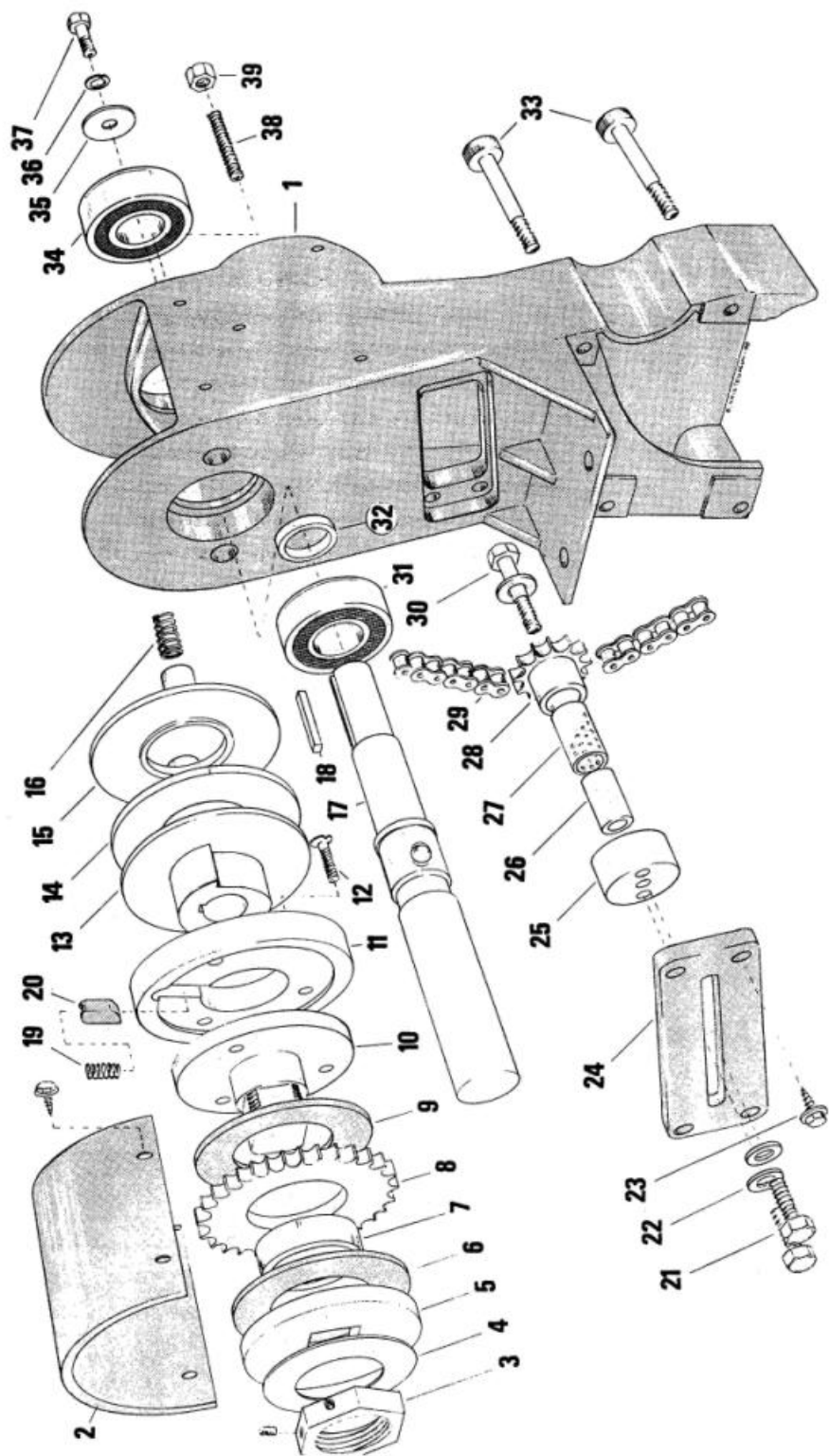


Table for page 22

Ref.No	Part No.	Part Name	Qty.	
			Overh. winch	Undgr. winch
1	3062-5016	Drum holder - frame	1	1
2	3060-5024	Chain guard	1	1
3	3060-5047	Nut to friction clutch	1	1
4	9485-001	Cup spring friction clutch	1	1
5	3060-5046	Clutch drive plate	1	1
6	9591-001	Friction lining	1	1
7	9229-001	Needle bearing	1	1
8	3060-5026	Chain wheel	1	1
9	9591-001	Friction lining	1	1
10	3060-5045	Hub	1	1
11	3060-5027	Coaster hub, external part	1	1
12	9372-06025	Screw MF6S 6-25	3	3
13	3060-5028	Coaster hub, internal part	1	1
14	9591-001	Friction lining	1	1
15	3060-5029	Brake hub	1	1
16	9481-010	Compression spring SS2387 1,6-8-24,9	2	2
17	3060-5030	Drum shaft	1	1
18	9322-0630	Key 6-6-30	1	1
19	9481-011	Compression spring SF-TF0,75-7-45 SS2331	1	1
20	3060-5031	Catch	1	1
21	9361-08025	Screw M8-25	2	2
22	9441-084	Washer 8,4-17-1,6	2	2
23	9391-06020	Screw M6SF-TT-6-20	4	4
24	3060-5032	Cover	1	1
25	3060-5033	Distance piece	1	1
26	3060-5034	Tube	1	1
27	9251-1525	Slide bearing	1	1
28	3060-5035	Chainwheel	1	1
29	3060-5025	Drive chain with chain lock	1	1
30	9361-08045	Screw M8-45	1	1
31	9201-6005-2	Ball bearing 6005-2RS	1	1
32	3060-5036	Spacer	1	1
33	9371-08080	Hexagon socket cap screw M8-80	4	4
34	9201-6204-2	Ball bearing 6204-2RS	1	1
35	9449-012	Washer	1	1
36	9444-082	Spring washer	1	1
37	9361-08020	Screw M8-20	1	1
38	9374-12030	Grub screw M12-30	2	2
39	9421-12	Nut M12	2	2
40	9542-0813-1	Chain lock	1	1

Note item 1-40 incl. in part no. 2103-3010

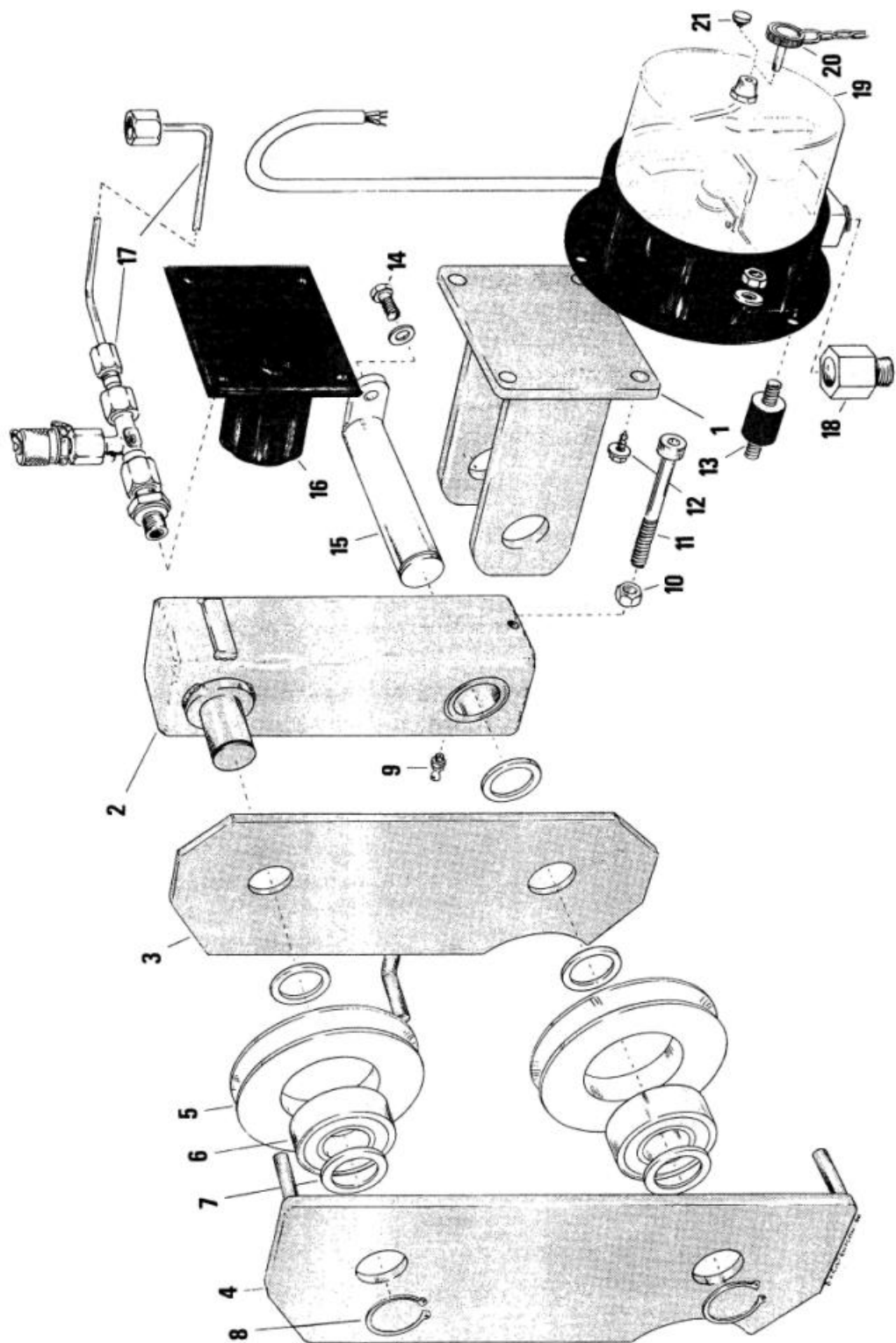


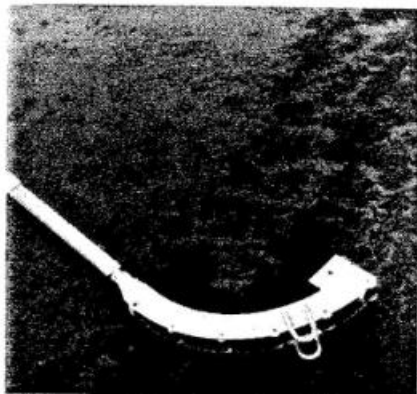
Table for page 24

Ref.No	Part No.	Part Name	Qty.	
			Overh. winch	Undgr. winch
1	3060-5037	Attachment	-	1
2	3060-5038	Beam	-	1
3	3060-5039	Valance, internal	-	1
4	3060-5040	Valance, external	-	1
5	3060-5023	Guide roller	-	2
6	9201-6004-2	Ball bearing 6004 2RS	-	2
7	9449-013	Spacer ring PS 20-28-1,0	-	5
8	9302-020	Lock ring SgA20	-	2
9	9551-06	Lubrication nipple M6	-	1
10	9421-06	Nut M6	-	1
11	9371-06060	Hexagon socket cap screw M6-60	-	1
12	9391-06020	Screw M6SF-TT-6-20	-	8
13	9503-003	Chusioner R20-20 24001	-	3
14	9361-06010	Screw M6-10	-	1
15	3060-5041	Cotter	-	1
16	3060-5042	Load sensor	-	1
17	3060-4020	Hydraulic tube with coupling	-	1
18	9621-MAV6-PLR	Adapter	-	1
19	9672-004	Manometer 10030/88 (incl 20,21)	-	1

Accessories for Multi-winch 210

Flexible cover, including removable steel frame.

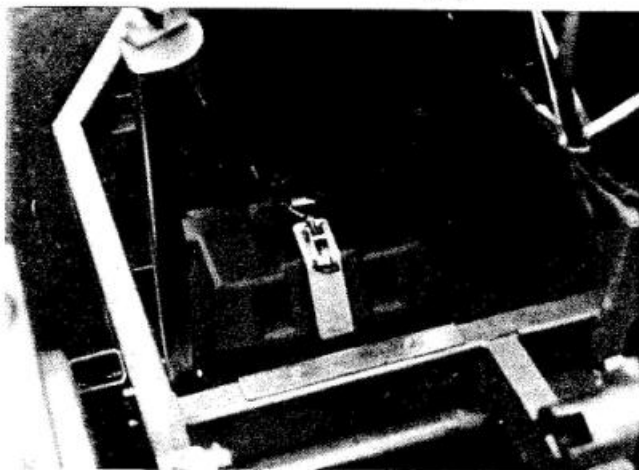
Adjustable manhole boom, for vertical pulling in a manhole.



Rotating warning light and working spot light, only for winch with battery.



Electric starter, including battery and battery box.



CLYDESDALE Ltd. Specialist manufacturer and supplier of overhead line and underground cable installation equipment, associated tools and personal protective equipment (PPE).



www.clydesdale.ltd.uk

Instal House, 3 Sunbeam Rd,
Woburn Rd Industrial Estate
Kempston, Beds MK42 7BZ
Tel: (0044) (0) 1234 855855
Fax: (0044) (0) 1234 855800